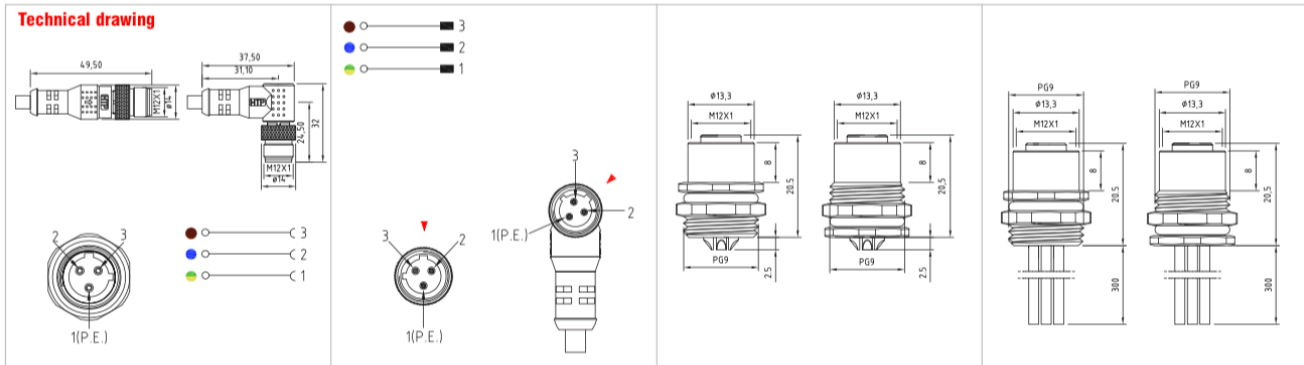


M12 Circular Connectors

Moulded cable connectors - C-coded / Panel mount connectors C-coded



Product description			
Connector type	Circular connector with moulded cable	Circular connector panel mount	Circular connector panel mount
Conforms to	IEC 61076-2-101	IEC 61076-2-101	IEC 61076-2-101
Construction type	M12 C-Coded	M12 C-Coded	M12 C-Coded
Description	Circular connector M12 series, C-coded, with moulded cable	Circular connector M12 series, C-coded, panel mount	Circular connector M12 series, C-coded, panel mount, with PVC soldered wires.

Housing type	Straight 180°	Angled 90°	Frontal panel side	Back panel side	Frontal panel side	Back panel side
Cable gland	Moulded cable		PG9 (fixing thread)		PG9 (fixing thread)	
Contacts type	Male		Female		Female	
Number of contacts	3poles		3poles		3poles	
Housing colour	Black		-		-	

Technical data			
Type of termination	Contacts to crimp wires	Contacts to solder wires	Contacts to solder wires
Contacts material	Brass + Gold flash	Brass + Gold flash	Brass + Gold flash
Coupling nut type	Knurl round	Brass + Nickel plated	Brass + Nickel plated
M12 coupling nut material	Brass + Nickel plated	Brass + Nickel plated (SW17)	Brass + Nickel plated (SW17)
M12 coupling nut torque	0.4 N*m	0.4 N*m	0.4 N*m
Rated voltage	250V AC/DC	250V AC / DC	250V AC / DC
Rated current	4A	4A	4A
O-ring material	-	NBR	NBR
Cable type	PVC/PVC CEI2022	-	PVC
Cable jacket colour	Black	-	3 x 0.5mm ²
No. Conductors / Section	3x0.5mm ²	-	Brown; Blue; Yellow/Green
Conductor colours	Brown; Blue; Yellow/Green	-	-
Cable diameter	ø5mm (±0.3)	-	0.3m
Cable length	1m	-	-

Packaging			
Qty/Bag	1 pc / bag	Not defined	Not defined

Other accessories options
See accessories section

Notes:
Connectors available with different features:
See the general features and codification scheme page
See the cables list section